

RAD-ISM-900-DATA-BD-BUS - Wireless module



2867296

<https://www.phoenixcontact.com/us/products/2867296>

Please be informed that the data shown in this PDF document is generated from our online catalog. Please find the complete data in the user documentation. Our general terms of use for downloads are valid.



Wireless transceiver (transmitter and receiver) with RS-232, RS-485/RS-422 interface and bus foot, for 900 MHz ISM band (America)

Your advantages

- Can be programmed for point-to-point, point-to-multipoint, and multipoint-to-point configurations
- The integrated bus foot enables connection to additional I/O modules
- The individual devices can be configured as master, slave or repeater
- Provides an interface for I/O data transmission between a 900 MHz wireless transmission system and RS-232, RS-422 or RS-485 interfaces
- Frequency hopping spread spectrum
- Up to 254 slaves can be connected to one master
- Operates in the license-free 902 MHz ... 928 MHz ISM band

Commercial data

Item number	2867296
Packing unit	1 pc
Minimum order quantity	1 pc
Sales key	NULL
Product key	DNC651
Catalog page	Page 469 (C-8-2013)
GTIN	4017918952754
Weight per piece (including packing)	242.7 g
Weight per piece (excluding packing)	241.8 g
Customs tariff number	85176200
Country of origin	CA

Technical data

Product properties

Product type	Wireless module
--------------	-----------------

Electrical properties

Supply

Supply voltage	24 V DC
Supply voltage range	9 V DC ... 30 V DC
Typical current consumption	110 mA
Max. current consumption	180 mA

Connection data

Connection method	Screw connection
Stripping length	8 mm
Conductor cross section flexible	0.2 mm ² ... 2.5 mm ²
Conductor cross section rigid	0.2 mm ² ... 4 mm ²
Cross section AWG	24 ... 12
Screw thread	M3

Interfaces

Serial: RS-232

Data rate	1,2 / 2,4 / 9,6 / 19,2 / 38,4 kBit/s
Connection method	D-SUB-9 female connector
File format/coding	Asynchronous
Data flow control/protocols	RTS/CTS

Serial: RS-485/RS-422

Data rate	1,2 / 2,4 / 9,6 / 19,2 / 38,4 kBit/s
Connection method	COMBICON plug-in screw terminal block

Wireless

Direction	Bi-directional
Frequency	900 MHz
Frequency range	902 MHz ... 928 MHz
Number of channel groups	4
Number of channels per group	63
Transmission power	1 W

Wireless

Frequency band	900 MHz
----------------	---------

Dimensions

Width	22.5 mm
-------	---------

RAD-ISM-900-DATA-BD-BUS - Wireless module



2867296

<https://www.phoenixcontact.com/us/products/2867296>

Height	99 mm
Depth	114.5 mm

Material specifications

Color	green
Housing material	Polyamide PA non-reinforced

Environmental and real-life conditions

Ambient conditions

Degree of protection	IP20
Ambient temperature (operation)	-40 °C ... 70 °C -40 °F ... 158 °F
Ambient temperature (storage/transport)	-40 °C ... 85 °C

Approvals

Conformity/Approvals

Conformance	FCC Directive, Part 15.247 ISC Directive RSS 210
UL, USA / Canada	Class I, Div. 2, Groups A, B, C, D

EMC data

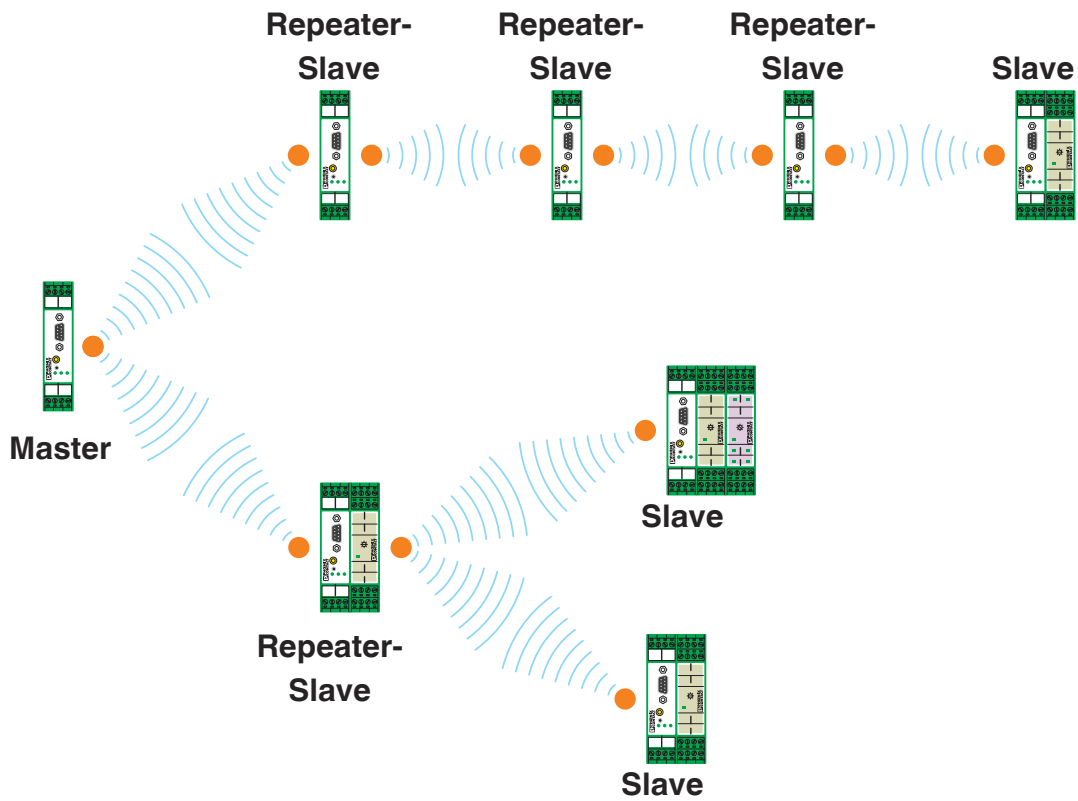
Electromagnetic compatibility	FCC Part 15.247 / ISC RSS 210
-------------------------------	-------------------------------

Mounting

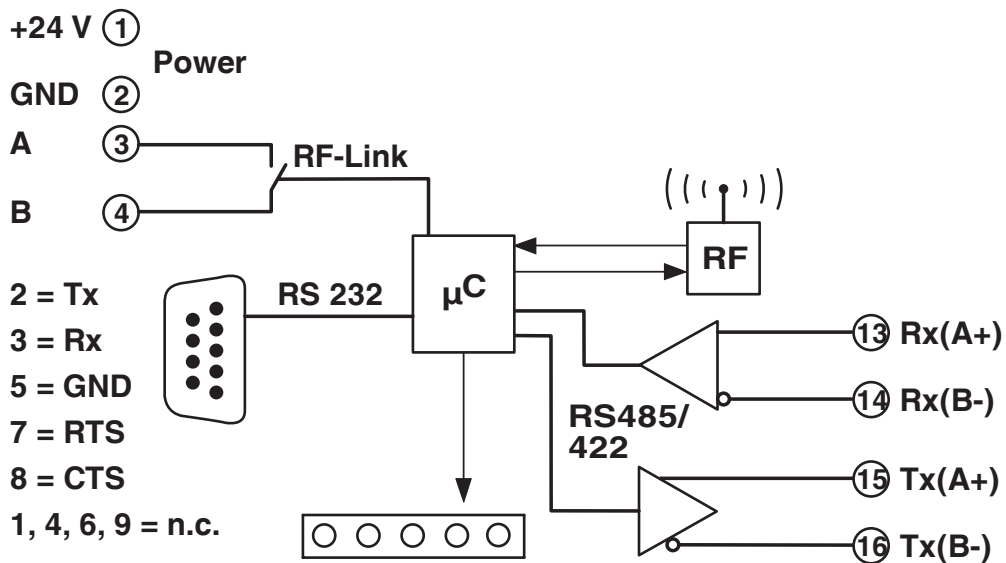
Assembly note	on standard DIN rail NS 35 in accordance with EN 60715
Mounting position	any

Drawings

Application drawing



Block diagram



RAD-ISM-900-DATA-BD-BUS - Wireless module



2867296

<https://www.phoenixcontact.com/us/products/2867296>

Environmental product compliance

EU REACH SVHC

REACH candidate substance (CAS No.)	No substance above 0.1 wt%
-------------------------------------	----------------------------

RAD-ISM-900-DATA-BD-BUS - Wireless module



2867296

<https://www.phoenixcontact.com/us/products/2867296>

Accessories

RAD-IN-4A-I - Extension module

2867115

<https://www.phoenixcontact.com/us/products/2867115>



Analog extension module with 4 analog current inputs 4 mA ... 20 mA

RAD-OUT-4A-I - Extension module

2867128

<https://www.phoenixcontact.com/us/products/2867128>



Analog extension module with 4 analog current outputs 4 mA ... 20mA

RAD-ISM-900-DATA-BD-BUS - Wireless module

2867296

<https://www.phoenixcontact.com/us/products/2867296>



RAD-IN-8D - Extension module

2867144

<https://www.phoenixcontact.com/us/products/2867144>

Digital extension module with 8 digital inputs



RAD-OUT-8D-REL - Extension module

2867157

<https://www.phoenixcontact.com/us/products/2867157>

Digital extension module with 8 digital outputs



RAD-ISM-900-DATA-BD-BUS - Wireless module

2867296

<https://www.phoenixcontact.com/us/products/2867296>



RAD-IN+OUT-2D-1A-I - Extension module

2867322

<https://www.phoenixcontact.com/us/products/2867322>



Analog /digital module for 2 digital inputs/outputs and 1 analog input/output

RAD-IN-2D-CNT - Extension module

2885223

<https://www.phoenixcontact.com/us/products/2885223>



Digital extension module with 2 digital inputs for measuring pulses and frequencies

RAD-ISM-900-DATA-BD-BUS - Wireless module

2867296

<https://www.phoenixcontact.com/us/products/2867296>



RAD-OUT-2D-CNT - Extension module

2885236

<https://www.phoenixcontact.com/us/products/2885236>



Digital extension module with 2 digital outputs for output of pulses and frequencies

RAD-ISM-900-ANT-OMNI-5 - Antenna

2867199

<https://www.phoenixcontact.com/us/products/2867199>



Omnidirectional antenna, 900 MHz, gain: 7 dBi, polarization: linear, opening angle: h/v 360°/30°, degree of protection: IP65, connection: N (female), incl. mounting bracket and mast clips

RAD-ISM-900-DATA-BD-BUS - Wireless module

2867296

<https://www.phoenixcontact.com/us/products/2867296>



RAD-ISM-900-ANT-OMNI-FG-3-N - Antenna

2867791

<https://www.phoenixcontact.com/us/products/2867791>

Omnidirectional antenna, 900 MHz, gain: 5 dBi, polarization: linear, opening angle: h/v 360°/28°, degree of protection: IP65, connection: N (female), incl. mounting bracket and mast clips



RAD-ISM-900-ANT-YAGI-3-N - Antenna

2867801

<https://www.phoenixcontact.com/us/products/2867801>

Directional antenna, 868 MHz / 900 MHz, gain: 5 dBi, polarization: linear, opening angle: h/v 168°/78°, degree of protection: IP65, connection: N (female), incl. mounting bracket and mast clips



RAD-ISM-900-DATA-BD-BUS - Wireless module



2867296

<https://www.phoenixcontact.com/us/products/2867296>

RAD-ISM-900-ANT-YAGI-6.5-N - Antenna

2867814

<https://www.phoenixcontact.com/us/products/2867814>



Directional antenna, 868 MHz / 900 MHz, gain: 8.5 dBi, polarization: linear, opening angle: h/v 100°/62°, degree of protection: IP65, connection: N (female), incl. mounting bracket and mast clips

RAD-ISM-900-ANT-YAGI-6.5-25-AS - Antenna

2867827

<https://www.phoenixcontact.com/us/products/2867827>



Panel antenna with surge protection, adapter cable MCX->N and assembly material, IP65 protection, gain 8.5 dBi, cable length 7.6 m, connection N (female)

RAD-ISM-900-DATA-BD-BUS - Wireless module



2867296

<https://www.phoenixcontact.com/us/products/2867296>

RAD-ISM-900-ANT-YAGI-6.5-50-AS - Antenna

2867830

<https://www.phoenixcontact.com/us/products/2867830>



Panel antenna with surge protection, adapter cable MCX->N and assembly material, IP65 protection, gain 8.5 dBi, cable length 15.2 m, connection N (female)

RAD-ISM-900-ANT-OMNI-0-6 - Antenna

2867160

<https://www.phoenixcontact.com/us/products/2867160>



Omnidirectional antenna, 900 MHz, gain: 2 dBi, polarization: linear, opening angle: h 360°, degree of protection: IP65, connection: MCX (male), incl. 2 m / 6.5 ft. connecting cable and mounting bracket for wall mounting

RAD-ISM-900-DATA-BD-BUS - Wireless module



2867296

<https://www.phoenixcontact.com/us/products/2867296>

RAD-CAB-RG58-10 - Antenna cable

2867364

<https://www.phoenixcontact.com/us/products/2867364>

Antenna extension cable, length: 10 ft



RAD-CAB-RG58-20 - Antenna cable

2867212

<https://www.phoenixcontact.com/us/products/2867212>

Antenna extension cable, length: 20 ft



RAD-ISM-900-DATA-BD-BUS - Wireless module



2867296

<https://www.phoenixcontact.com/us/products/2867296>

RAD-CAB-RG213-25 - Antenna cable

2867597

<https://www.phoenixcontact.com/us/products/2867597>

Antenna extension cable, length: 25 ft



RAD-CAB-RG213-40 - Antenna cable

2867377

<https://www.phoenixcontact.com/us/products/2867377>

Antenna cable, outside diameter: 10 mm (0.4 in.), inner conductor: solid, attenuation: 2.9 dB at 900 MHz, connection: 2 x N (male), cable length: 12 m (40 ft.)



RAD-ISM-900-DATA-BD-BUS - Wireless module



2867296

<https://www.phoenixcontact.com/us/products/2867296>

RAD-CAB-RG213-50 - Antenna cable

2867225

<https://www.phoenixcontact.com/us/products/2867225>



Antenna cable, outside diameter: 10 mm (0.4 in.), inner conductor: solid, attenuation: 3.5 dB at 900 MHz, connection: 2 x N (male), cable length: 15 m (50 ft.)

RAD-CAB-PFP400-60 - Antenna cable

2867380

<https://www.phoenixcontact.com/us/products/2867380>



Antenna cable, outside diameter: 10 mm (0.4 in.), inner conductor: solid, attenuation: 2.5 / 4.2 / 6.3 dB at 0.9 / 2.4 / 5.8 GHz, connection: 2x N (male), cable length: 18 m (60 ft.)

RAD-ISM-900-DATA-BD-BUS - Wireless module



2867296

<https://www.phoenixcontact.com/us/products/2867296>

RAD-CAB-PFP400-80 - Antenna cable

2867393

<https://www.phoenixcontact.com/us/products/2867393>



Antenna cable, outside diameter: 10 mm (0.4 in.), inner conductor: solid, attenuation: 3.3 / 5.6 / 8.4 dB at 0.9 / 2.4 / 5.8 GHz, connection: 2x N (male), cable length: 24 m (80 ft.)

RAD-CAB-PFP400-100 - Antenna cable

2867238

<https://www.phoenixcontact.com/us/products/2867238>



Antenna cable, outside diameter: 10 mm (0.4 in.), inner conductor: solid, attenuation: 4.1 / 6.9 / 10.4 dB at 0.9 / 2.4 / 5.8 GHz, connection: 2x N (male), cable length: 30 m (100 ft.)

RAD-ISM-900-DATA-BD-BUS - Wireless module

2867296

<https://www.phoenixcontact.com/us/products/2867296>



RAD-CAB-LMR600-125 - Antenna cable

2885210

<https://www.phoenixcontact.com/us/products/2885210>

Antenna extension cable, length: 125 ft



RAD-CAB-PFP600-150 - Antenna cable

2885184

<https://www.phoenixcontact.com/us/products/2885184>

Antenna cable, outside diameter: 15 mm (0.6 in.), inner conductor: solid, attenuation: 3.9 / 6.8 / 10.4 dB at 0.9 / 2.4 / 5.8 GHz, connection: 2x N (male), cable length: 45 m (150 ft.)



RAD-ISM-900-DATA-BD-BUS - Wireless module



2867296

<https://www.phoenixcontact.com/us/products/2867296>

RAD-CAB-PFP900-200 - Antenna cable

2885197

<https://www.phoenixcontact.com/us/products/2885197>

Antenna extension cable, length: 200 ft



RAD-CON-MCX-N-SB - Antenna cable

2867717

<https://www.phoenixcontact.com/us/products/2867717>

Antenna cable, outside diameter: 2.5 mm (0.1 in.), inner conductor: stranded, attenuation: 0.9 dB at 900 MHz, connection: MCX (male) -> N (female), cable length: 1.2 m (4 ft.)



RAD-ISM-900-DATA-BD-BUS - Wireless module



2867296

<https://www.phoenixcontact.com/us/products/2867296>

RAD-CON-SMA-N-SS - Antenna cable

2867403

<https://www.phoenixcontact.com/us/products/2867403>

Antenna cable, outside diameter: 2.5 mm (0.1 in.), inner conductor: stranded, attenuation: 0.9 dB at 900 MHz, connection: SMA (male) -> N (male), cable length: 1.2 m (4 ft.)



RAD-CON-MCX-MCX-SS - Antenna cable

2867607

<https://www.phoenixcontact.com/us/products/2867607>

Antenna cable, outside diameter: 2.8 mm (0.11 in.), inner conductor: stranded, attenuation: 0.9 dB at 900 MHz, connection: MCX (male) -> MCX (male), cable length: 0.3 m (1 ft.)



RAD-ISM-900-DATA-BD-BUS - Wireless module



2867296

<https://www.phoenixcontact.com/us/products/2867296>

RAD-CON-MCX90-N-SS - Antenna cable

2885207

<https://www.phoenixcontact.com/us/products/2885207>



Antenna cable, outside diameter: 2.5 mm (0.1 in.), inner conductor: stranded, attenuation: 0.9 dB at 900 MHz, connection: 90° MCX (male) -> N (male), cable length: 1.2 m (4 ft.)

RAD-ISM-900-ANT-4 - Antenna splitter

2867050

<https://www.phoenixcontact.com/us/products/2867050>



4-way distributor for antenna signals (antenna splitter), MCX connection (female)

RAD-ISM-900-DATA-BD-BUS - Wireless module

2867296

<https://www.phoenixcontact.com/us/products/2867296>



RAD-ISM-900-ANT-OMNI-FG-6-N - Antenna

2885579

<https://www.phoenixcontact.com/us/products/2885579>

Omnidirectional antenna, 900 MHz, gain: 8 dBi, polarization: linear, opening angle: h/v 360°/15°, degree of protection: IP65, connection: N (female), incl. mounting bracket and mast clips



Phoenix Contact 2024 © - all rights reserved

<https://www.phoenixcontact.com>

Phoenix Contact USA
586 Fulling Mill Road
Middletown, PA 17057, United States
(+717) 944-1300
info@phoenixcon.com