

Options

Standard reflector V-61



Small reflector V-42



Tiny reflector P45A



JCN-S : M8 Straight type



JCN-S : 2 meter
JCN-5S : 5 meter
JCN-10S : 10 meter

JCN-L : M8 L-shape type



JCN-L : 2 meter
JCN-5L : 5 meter
JCN-10L : 10 meter

Protective mounting brackets (For Head-on types)

LJ-H01 : Protector



LJ-H02 : Protector



Protective mounting brackets (For Side-on types)

LJ-S01 : Protector



LJ-S02 : Protector



Sensor stand
PLN-1



Fixture of Reflector
PLN-1M

Photoelectric Sensor V series



- Universal voltage photoelectric sensor 12~240 VDC / 24~240 VAC. M12 QD types are available.
- Relay contact (AC/DC models) and Transistor output (DC models).
- Rugged duty sensor housing.
- BGS-V2000, long sensing distance (2m) with BGS operation.

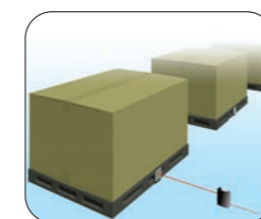
Applications



Rubber / plastic industry



Transportation industry



Material handling

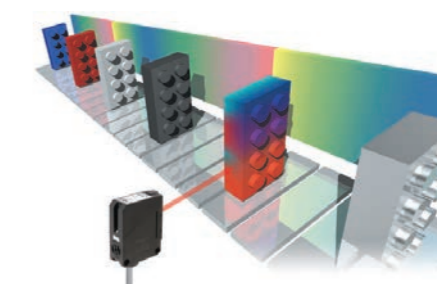
High power light source

The strong LED light source assures stable sensing even in misty or dirty conditions.



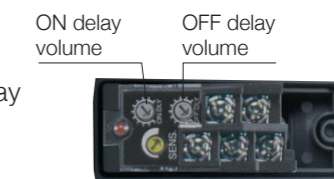
Long sensing BGS-V2000 (2m) BGS type

BGS-V2000 , 2m sensing BGS sensor.



Timer Function

Adjustable ON delay, OFF delay and ON+OFF delay time by individual delay trimmer. From 0.1 to 10 sec.



Applicable for use world-wide

24 to 240V AC
12 to 240V DC.

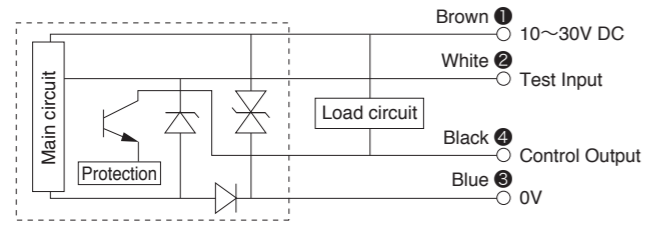


C
C2
E
J
J2
J3
V
V2
V3
V4
SR-Q
S
Z
BGS-Z
Z2
Z3
ZM
K
BGS-2S
Y
DM-18T
Accessory

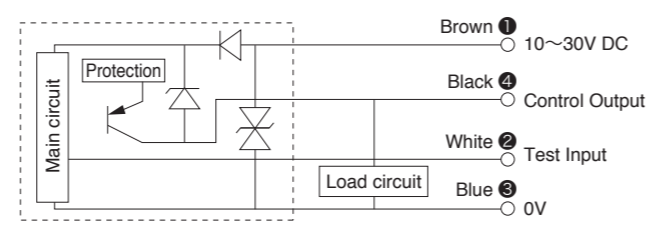
C
C2
E
J
J2
J3
V
V2
V3
V4
SR-Q
S
Z
BGS-Z
Z2
Z3
ZM
K
BGS-2S
Y
DM-18T
Accessory

Circuit diagram

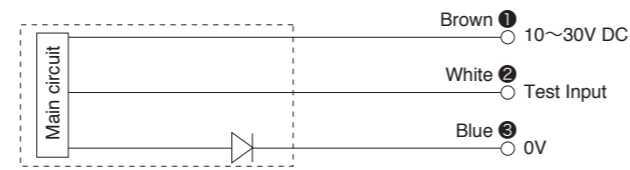
NPN output



PNP output

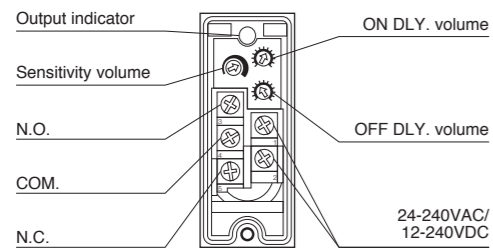


Emitter

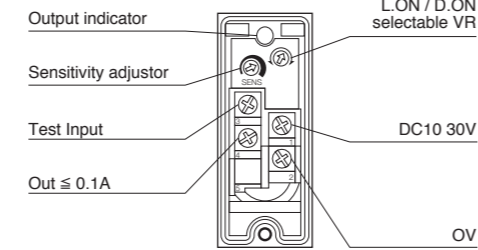


Connections

Relay type

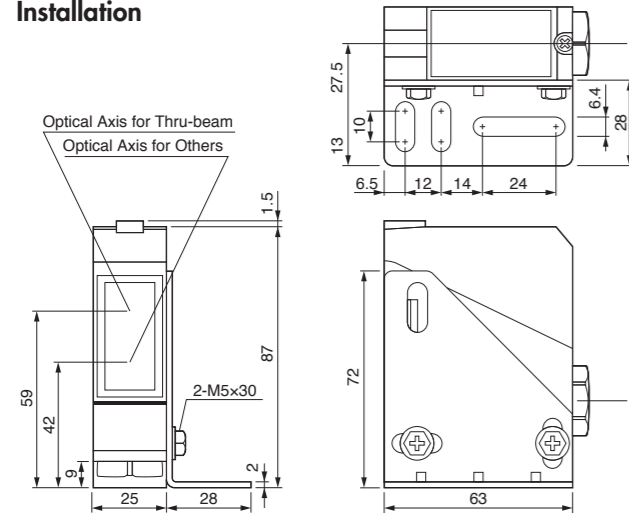


NPN / PNP type

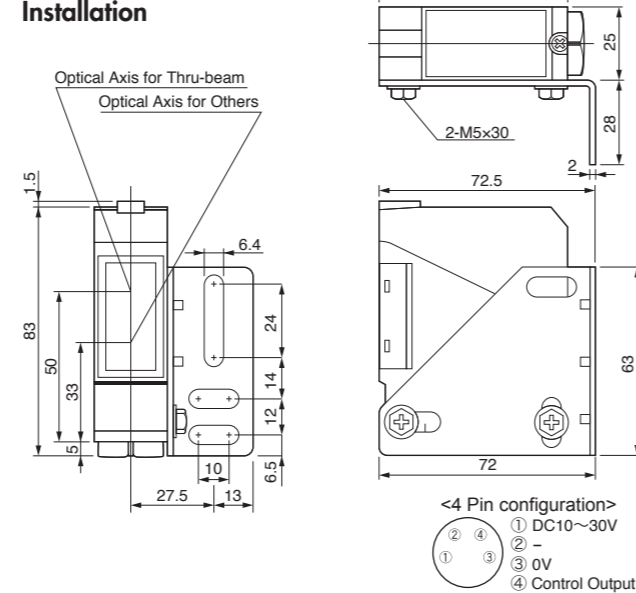


Dimensions

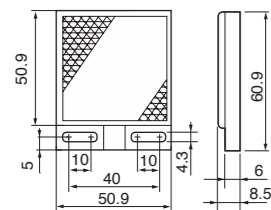
Horizontal Installation



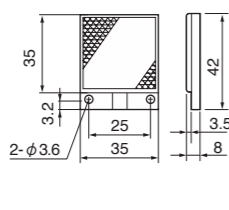
Vertical Installation



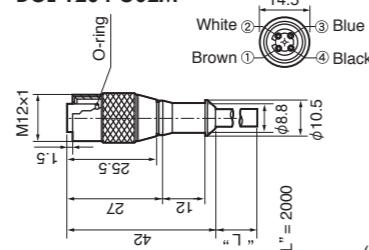
Standard reflector V-61



Small reflector V-42



M12 connector cable DOL-1204-G02M



(Unit : mm)

Specifications

Model	Thru-beam	Retro-Reflection	Diffused-Reflection Red LED	Diffused-Reflection IR LED	BGS type	
Relay output type	VT-4000	VR-1000	VD-130	VD-300	BGS-V2000	
Transistor output type	Timer	VR-1000T	VD-130T	VD-300T	BGS-V2000T	
	NPN/PNP	VT-3000N / 3000P	VR-800N / 800P	VD-100N / 100P	VD-250N / 250P	BGS-V2000N / 2000P
Sensing distance	Relay type	40 meter	10 meter	1.3 meter	3 meter	0.5~2 meter
	Transistor type	30 meter	8 meter	1 meter	2.5 meter	0.5~2 meter
Response time	Relay type	20msec				
	Transistor type	1.5msec		5msec		
Operation mode	Relay type = Light On fixed, NPN / PNP type = Light On / Dark On switchover					
Hysteresis	NIL			20% Max		
Light source	Red			Infrared		
Control output	NO / NC AC240V / DC30V,3A				NO / NC AC240V / DC30V,3A	
Supply voltage	NPN or PNP Open collector, 100mA Max / 30V DC					
	AC24-240V, DC12-240V +/-10% ripple					
Conformity	DC10-30V incl. 10% ripple					
	JIS / C4525, CE, UL					
Power consumption	8.5VA	5VA				
Cable connection	Terminal chamber, applicable cable φ6 to φ10					
	Test input Available in Transistor output types					
Ambient temp	-25~+55°C					
Ambient humidity	35~85% RH					
Sensitivity adjustment	Single turn trimmer				TEACH-IN	
Protection	IEC 144, IP67					
Shock resistance	50G, XYZ 3-ways					
Materials	Glassfiber reinforced ABS(Case), PMMA(Lens)				ABS(Case), PC(Lens), PMMA(Cover)	

Options

Standard reflector V-61



Small reflector V-42



Connector cable DOL-1204-G02M

