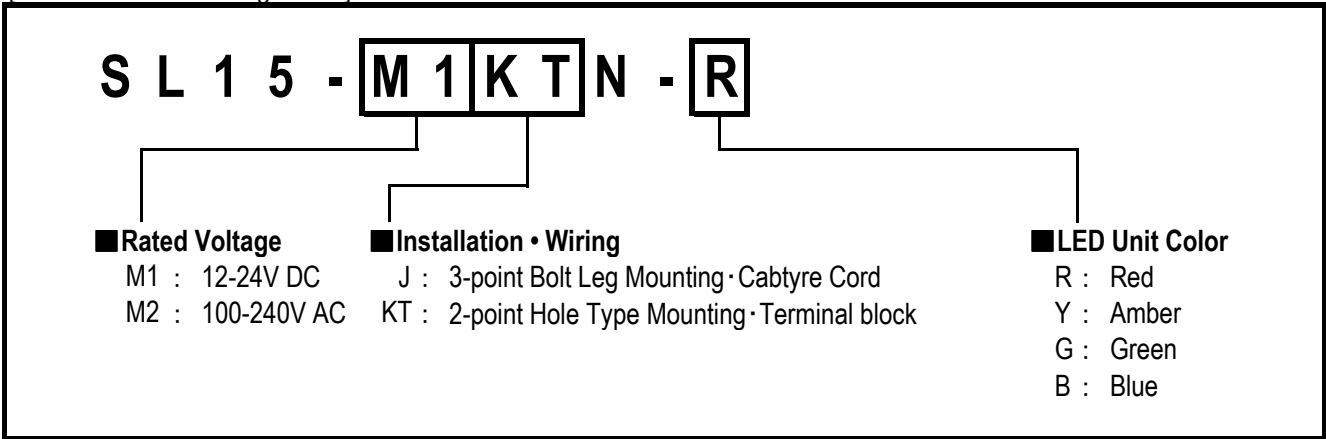


<h1>SPECIFICATIONS</h1>

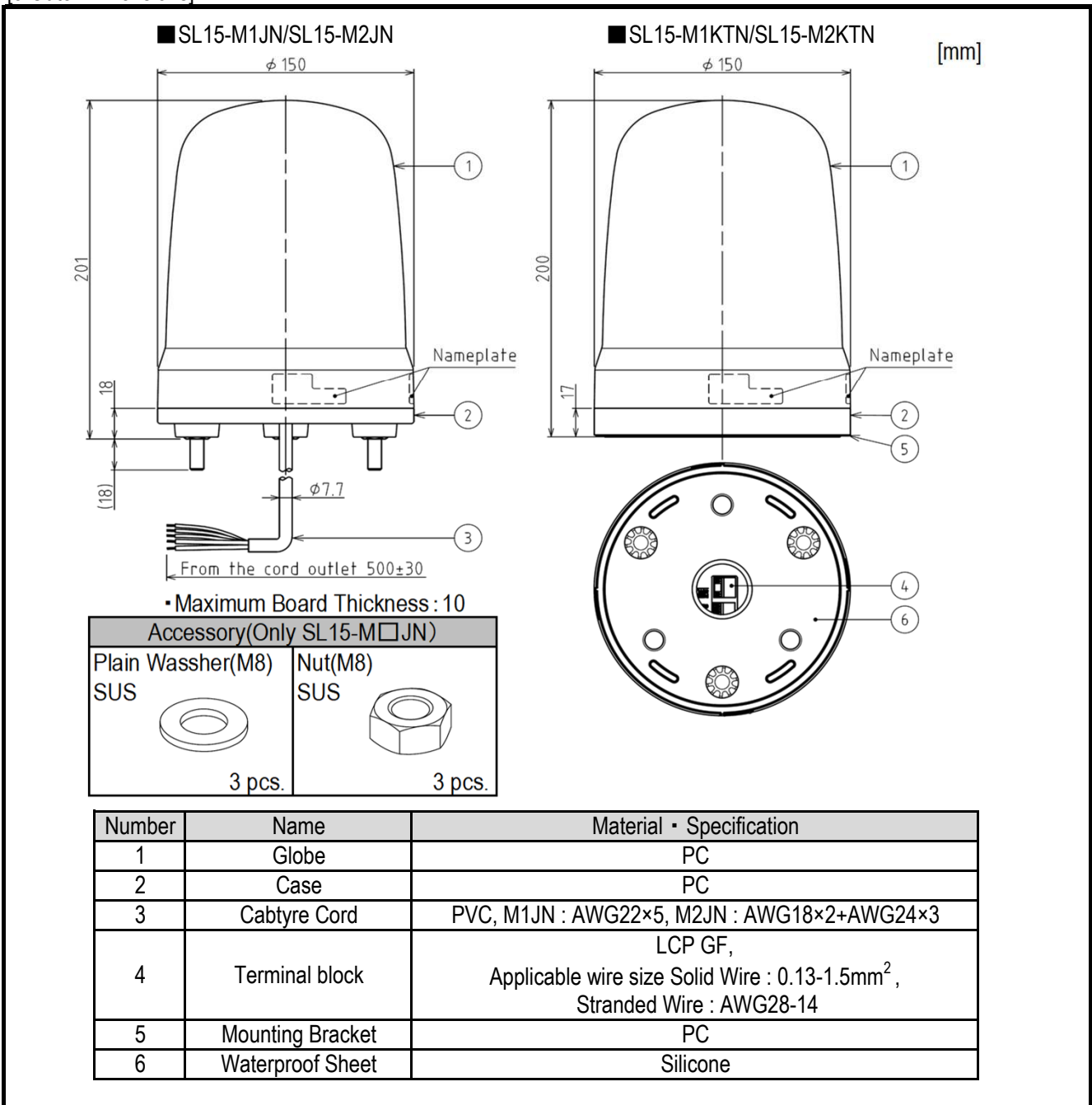
[1.General Specifications]

Product Name		Flashing Beacons			
Model		SL15-M1□□N-□		SL15-M2□□N-□	
Rated Voltage		12-24V DC		100-240V AC (50/60Hz)	
Operating Voltage Range		10-30V DC		90-250V AC	
Rated Current Consumption		12V DC	24V DC	100V AC	240V AC
	Max.	0.40A	0.20A	0.14A	0.06A
Rated Power Consumption					
	Max.	4.8W		5.6W	
Operating Ambient Temperature		-20°C to +50°C			
Operating Ambient Humidity		Less than 90 % (No condensation)			
Storage Ambient Temperature		-30°C to +60°C			
Storage Ambient Humidity		Less than 90 % (No condensation)			
Mounting Location		Indoor/Outdoor			
Mounting Direction		Indoor : Upright, Inverted & Sideways Outdoor : Upright			
Protection Rating		SL15-M□JN		IP23	
		SL15-M□KTN		IP66/NEMA TYPE 4X,13	
Environmental Condition		Upright			
Insulation Resistance		More than 1MΩ at 500V DC between live part and non-current carrying metallic part		More than 3MΩ at 500V DC between live part and non-current carrying metallic part	
Withstand Voltage		500V AC applied for 1min between live part and non-current carrying metallic part without breaking insulation		4,000V AC applied for 1min between live part and non-current carrying metallic part without breaking insulation	
Mass (Typ.)		SL15-M1JN	0.86kg	SL15-M2JN	0.89kg
		SL15-M1KTN	0.86kg	SL15-M2KTN	0.89kg
Flashing Rate (Typ.)		Blinking (180 flashes per minute), Triple Flash(120 flashes per minute)			
Conformity Standards	UL	UL508, CSA-C22.2 No.14 (UL File No.E215660)			
	EMC Directive	EN61000-6-4		EN61000-6-4, EN61000-6-2	
		EN61000-6-2		EN61000-3-2, EN61000-3-3	
	KC	KN61000-6-4, KN61000-6-2			
	FCC	FCC Part15 SubpartB ClassA, ICES-003 ClassA			
	RoHS Directive	EN50581			
	Low Voltage Directive			IEC/EN60947-5-1,EN62471	
EAC	TPTC020/2011		TPTC020/2011, TPTC004/2011		
		UL, Low Voltage Directive, and EAC have been evaluated for use in indoor industrial control equipment.			
Remarks		Due to the characteristics of the LED elements, a variation in difference of the color tone and brightness of every product may occur.			

[2.Model Number Configuration]



[3.Outer Dimensions]



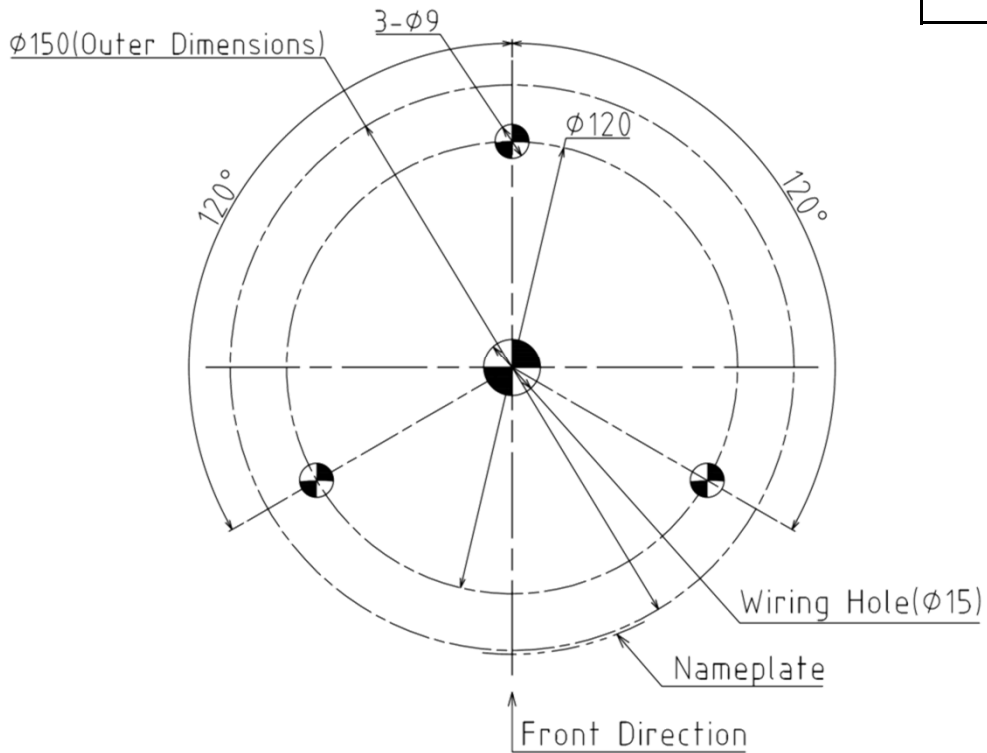
Drawing No.	Rev.	Page
SL15-M1JN-W18	A	3 / 4

[4. Mounting Dimensional Drawing]

[mm]

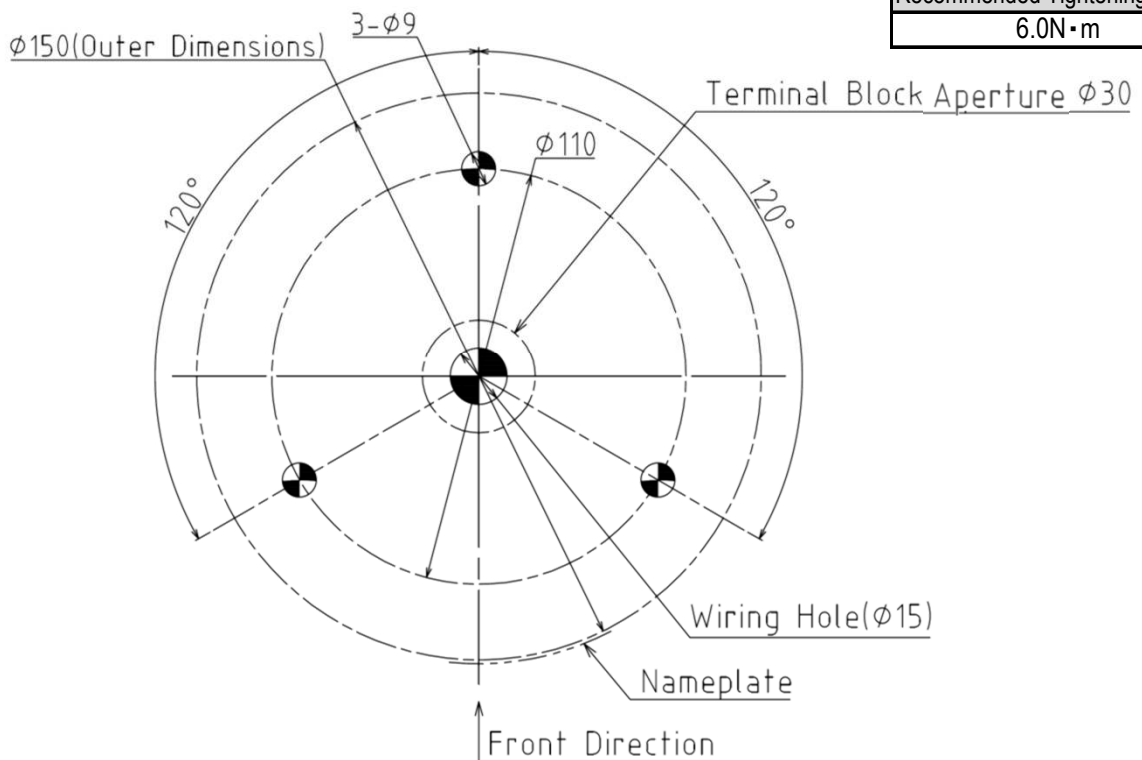
■ SL15-M1JN/SL15-M2JN

Recommended Tightening Torque
6.0N·m



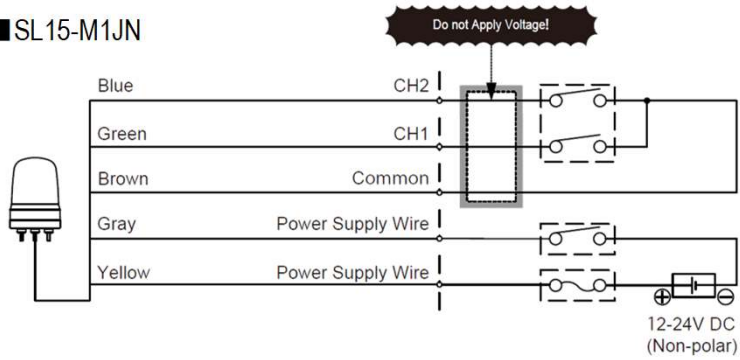
■ SL15-M1KTN/SL15-M2KTN

Recommended Tightening Torque
6.0N·m

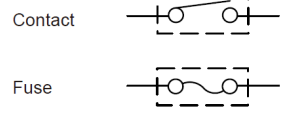


[5.Wiring Diagram]

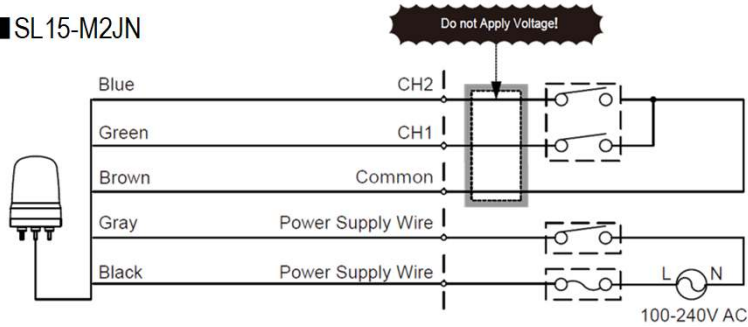
■ SL15-M1JN



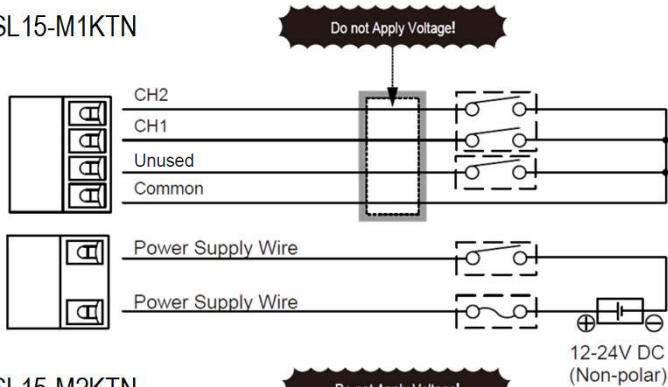
Symbol



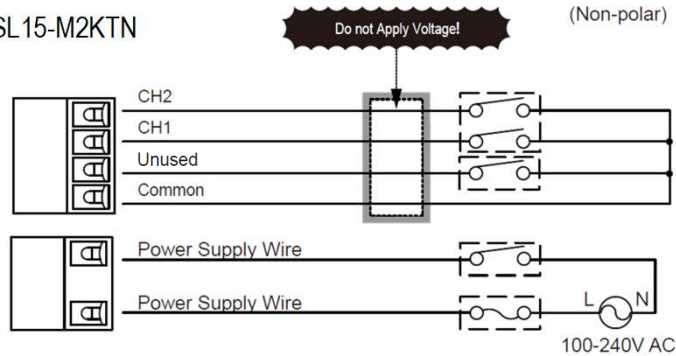
■ SL15-M2JN



■ SL15-M1KTN



■ SL15-M2KTN



■ Flash Pattern List

Wiring 【CH1/CH2】			
CH1 OFF/CH2 OFF	CH1 ON/CH2 OFF	CH1 OFF/CH2 ON	CH1 ON/CH2 ON
Turn off	Lighting	Blinking	Triple Flash