

Drawing No.	Rev.	Page
BM-202-W18	G	1/2

<h1>SPECIFICATIONS</h1>

[General Specifications]

Model	BM-202	BM-210	BM-220
Rated Voltage	24V AC/DC	100V AC	220V AC
Operating Voltage Range	Rated Voltage $\pm 10\%$		
Power Consumption	0.4W	2.5W	3.5W
Buzzer	Sound Pressure Level	80dB	85dB
	Tone	Front direction from the center / at 1m [Buzzer 1] Slow Intermittent [Buzzer 2] Fast Intermittent	
Operating Ambient Temperature	- 10 °C to + 60 °C		
Operating Ambient Humidity	Less than 85% (No condensation)		
Mounting Location	Indoors		
Mounting Direction	Upright		
Protection Rating	IP30 (IEC 60529)		
Vibration Resistance	19.6m/s ² (IEC 60068-2-6 30Hz Fixed frequency)		
Insulation Resistance	More than 1M Ω at 500VDC between the terminals and the chassis		
Withstand Voltage	Applied for 1min between terminals and chassis without breaking insulation		
	500VAC	1500VAC	
Priority	CH1 > CH2		
Mass (Tolerance $\pm 10\%$)	100g		
Outer Dimensions	Refer to the Outer Dimension Drawing		
Conformity Standards	EMC Directive (EN 55011, EN 61000-6-2) RoHS Directive (EN IEC 63000)		
	Conforms to the CE Requirements Conforms to the UKCA Requirements		
Remarks			

1

2

3

4

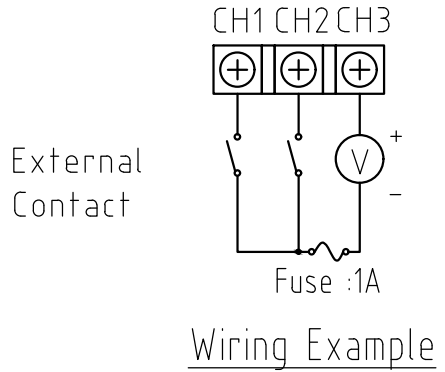
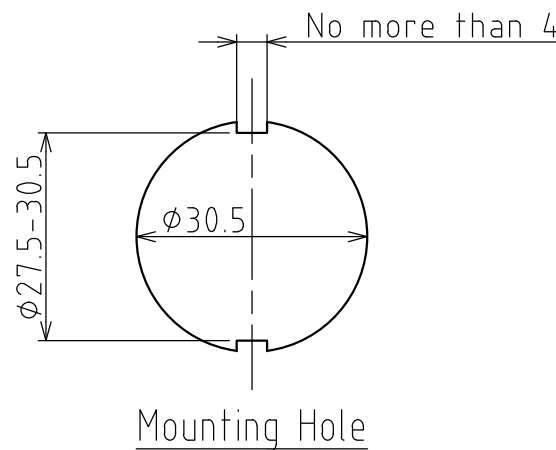
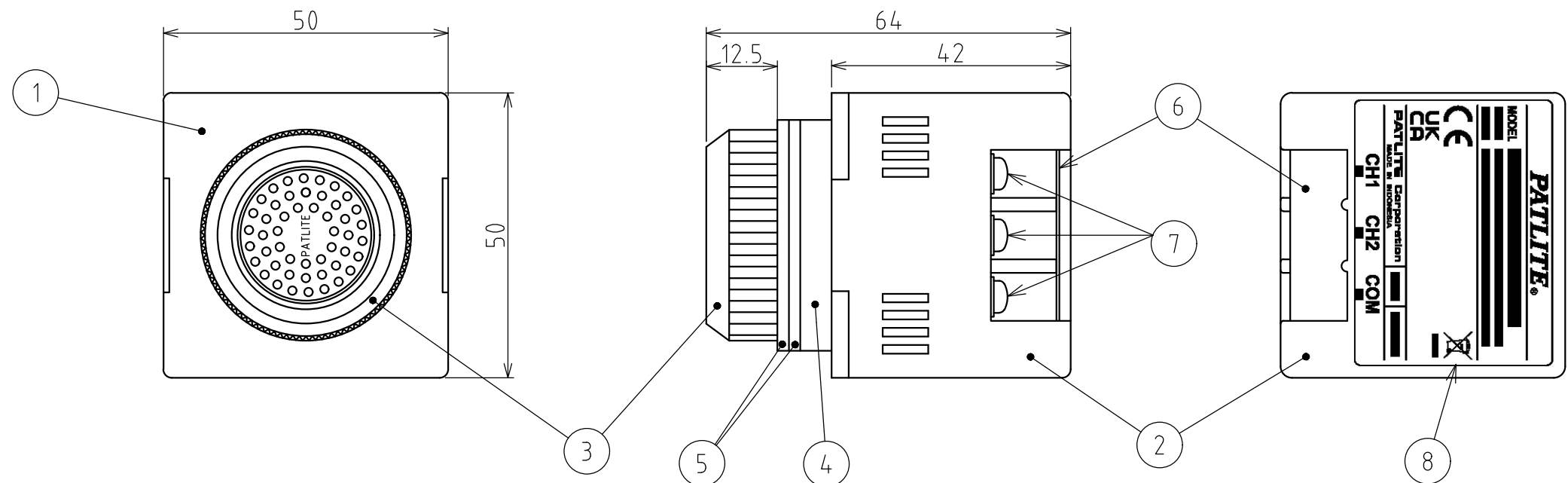
5

6

7

8

指定 外公差 General Tolerance	角度公差 ±[°] Angular tolerance ±[°]			寸法公差 ±[mm] Dimensional tolerance ±[mm]					図番 Drawing No. BM-202-W18			ページ Page 2/2	
	短辺 長さ Length of short side	~	~100	6	30	120	300	1000	改訂 Rev.	年月日 Date	改訂履歴 Revisions		
	精 f	1	0.5	0.3	0.1	中 m	0.1	0.3				0.5	0.7
	粗 v	3	1.5	1	0.5	粗 c	0.3	0.5	1	1.2	2		



8	Nameplate	1	
7	Terminal Screw	3	NBR t2.0 MBNi
6	Terminal Cover	1	PC(Black)
5	Rubber Packing B	2	NBR t2.0
4	Rubber Packing A	1	NBR t3.5
3	Ring	1	ABS
2	Body B	1	ABS(Black)
1	Body A	1	ABS(Black)
番号 No.	部品名 Part Name	数量 Qty.	記事 Remarks

機種 Model	BM-202,210,220	特注No. S.P.No.	-	図名 Name	Outer Dimensions Drawing		
品目コード Part No.	-	尺度 Scale	-	三角法 3rd Angle P.	単位 Unit	m	株式会社 PATLITE Corporation

1

2

3

4

5

6

7

8